



## MC100/MC1000 Media Converters

### Cost-Effective Connectivity to Fiber Networks

The MC100 and MC1000 – highly compact media converter accessories for use with the MX/TX Ethernet product series or for standalone applications.

The MC100 is a rate-switching 10/100 UTP copper to 100BASE-FX fiber media converter providing cost-effective connectivity from Ethernet testers to 100 Mbit/s legacy fiber based networks.

The MC1000 is a miniature 1000BASE-T UTP copper to 1000BASE-X fiber Gigabit Ethernet media converter supporting connectivity from Gigabit switches to Ethernet test equipment, and other devices such as computers.

Both media converters use Small Form Pluggable (SFP) Transceivers which support different fiber types, data rates and distances. The converters can be powered by an external 5 Volt AC power supply or directly from a USB port on the MX/TX Ethernet tester.

### Key Features

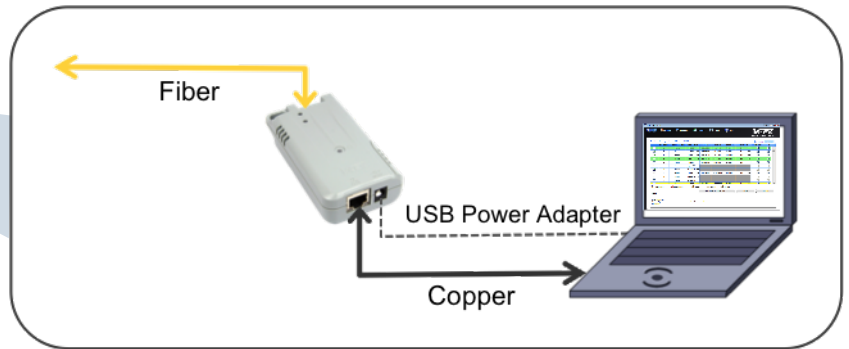
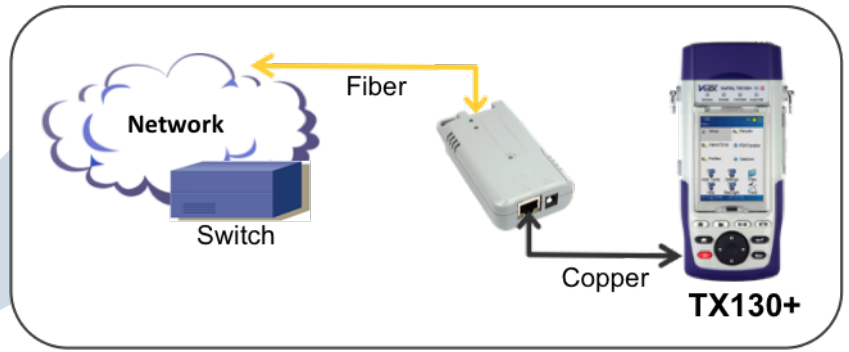
- MC100: 10/100BASE-TX to 100BASE-FX Ethernet media converter
- MC1000: 10/100/1000BASE-TX to 1000BASE-X media converter
- Small and light, weighs less than 5 ounces
- Powered by USB connection
- Portable plug-and-play capability
- Cost-effective fiber connectivity from Ethernet switches to test equipment, desktops, and laptops
- Conforms to the IEEE 802.3 specification
- Supports Full/Half-Duplex UTP auto-negotiation
- LED indicators for link status and activity
- Integrated ring for convenient storage and safe keeping
- Compatible with MX and TX Ethernet products
- Optional AC power adaptor for standalone operation with fiber network equipment

## Applications

The MC100 and MC1000 media converters are the ideal solution for connectivity from Gigabit switches to Ethernet test equipment, and other devices such as computers.



**MC100/MC1000**



## Specifications

Compatible with all VeEX MX and TX Ethernet products

Connector types

- UTP (RJ45)
- Fiber (LC via SFP transceivers)

Power (MC100)

- DC Power: 0.5A @5VDC
- DC Power Connector: 2.5mm DC Jack
- AC Power Adaptor (US): 100-120VAC/60Hz; 0.03A@120VAC
- AC Power Adaptor (Universal): 100-240VAC/50-60Hz; 0.03A@120VAC

Power (MC1000)

- DC Power (typical): 5 to 12VDC; 0.35A @5VDC
- DC Power Connector: 2.5mm DC Jack or 2-pin terminal connector
- AC Power Adaptor (US): 100-120VAC/60Hz; 0.02A@120VAC
- AC Power Adaptor (Universal): 100-240VAC/50-60Hz; 0.02A@120VAC

## General Specifications

Size	108 x 57 x 19 mm (L x W x D) 4.25 x 2.25 x 0.75 in
Weight	Less than 5 oz (142 gm)
Operating Temperature	0°C to 50°C (32°F to 122°F)
Storage Temperature	-20°C to 70°C (-4°F to 158°F)
Humidity	5% to 95% non-condensing

## Ordering Information

Z99-00-024P	MC1000, 1000-T to 1000-X Media Converter with USB Power Cord (requires SFP options)
Z99-00-025P	MC100, 100-T to 100-FX Media Converter with USB Power Cord (requires SFP options)

## Accessories

301-01-013G	1310nm 100FX MM (2km) SFP - 100Mbps
301-01-014G	1310nm 100FX SM (15km) SFP - 100Mbps
A03-00-006G	AC Adaptor, US Plug
F02-00-026G	USB Power Cord

For more information



**dhs ELMEA tools GmbH**

Carl-Zeiss-Straße 43  
63322 Rödermark / Germany  
fon +49 6074 / 91 99 08 -0  
fax +49 6074 / 91 96 747  
web [www.dhs-tools.de](http://www.dhs-tools.de)  
mail [info@dhs-tools.de](mailto:info@dhs-tools.de)

© 2010 VeEX Inc. All rights reserved.

VeEX is a registered trademark of VeEX Inc. The information contained in this document is accurate. However, we reserve the right to change any contents at any time without notice. We accept no responsibility for any errors or omissions. In case of discrepancy, the web version takes precedence over any printed literature.

D05-00-045P A00 2010/09